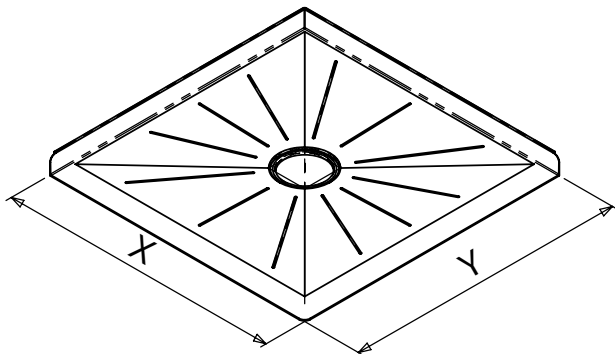


Drybase Configuration & Sizing Chart

Select the product configuration & size from the chart that fits your bathroom plans

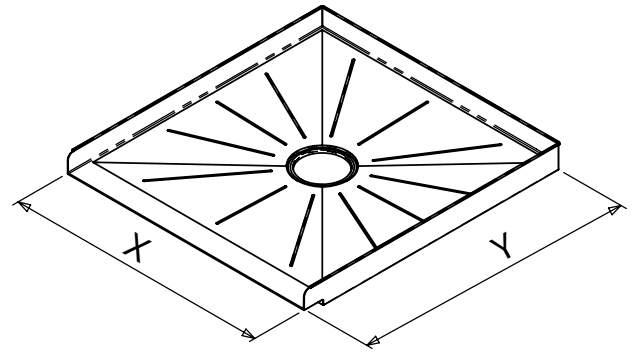
Configuration	Code	Size	Length X	Width Y
Hob Entry 2 Sided	H290	900 x 900	970	970
	H210	1000 x 1000	1070	1070
	H212-L	1200 x 900	1268	968
	H212-R	1200 x 900	1268	968
	H215-L	1500 x 1000	1568	1068
	H215-R	1500 x 1000	1568	1068
Hob Entry 3 Sided	H390	900 x 900	880	967
	H310	1000 x 1000	982	1068
	H312	1200 x 900	1182	968
	H315	1500 x 1000	1480	1068
Level Entry 2 Sided	L290	900 x 900	949	949
	L210	1000 x 1000	1049	1049
	L212-L	1200 x 900	1249	949
	L212-R	1200 x 900	1249	949
	L215-L	1500 x 1000	1549	1049
	L215-R	1500 x 1000	1549	1049
Level Entry 3 Sided	L390	900 x 900	880	967
	L310	1000 x 1000	982	1049
	L312	1200 x 900	1181	950
	L315	1500 x 1000	1480	1050

All sizes to be viewed with ± 3 mm manufacturing tolerance



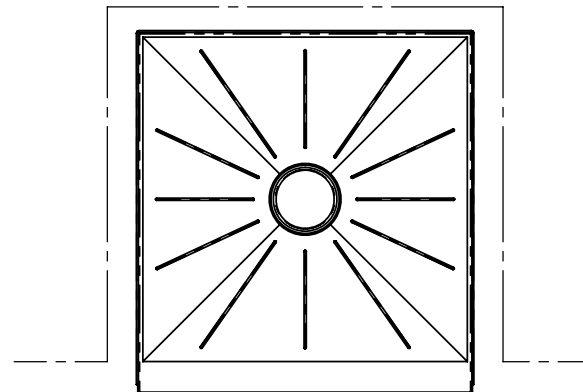
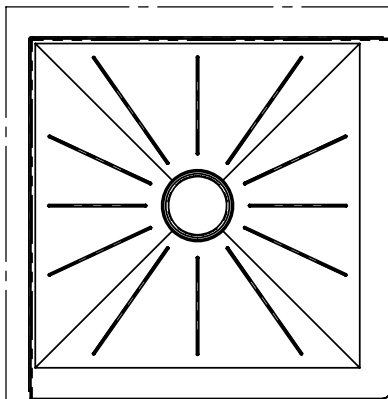
2 Sided Base Units

Bathroom Corner (Two Walled Installation)



3 Sided Base Units

Shower Cavity (Three Walled Installation)



Drybase Sizing Specifications

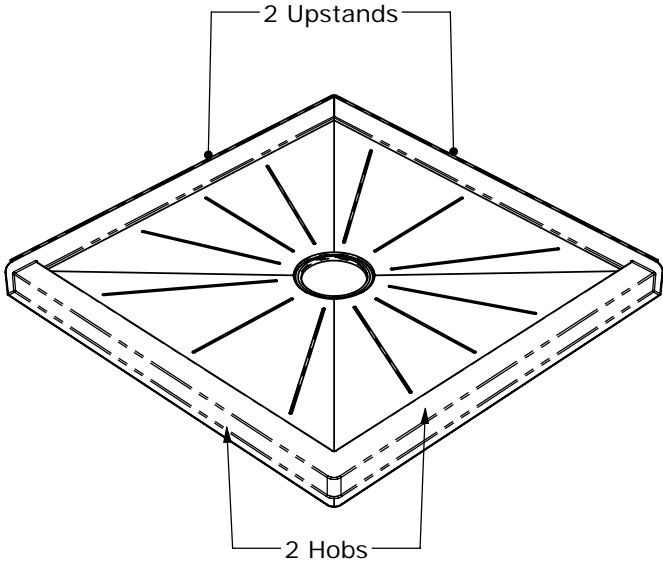
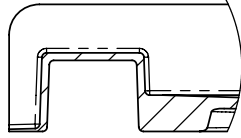
Drybase Sizing Chart

Drybase

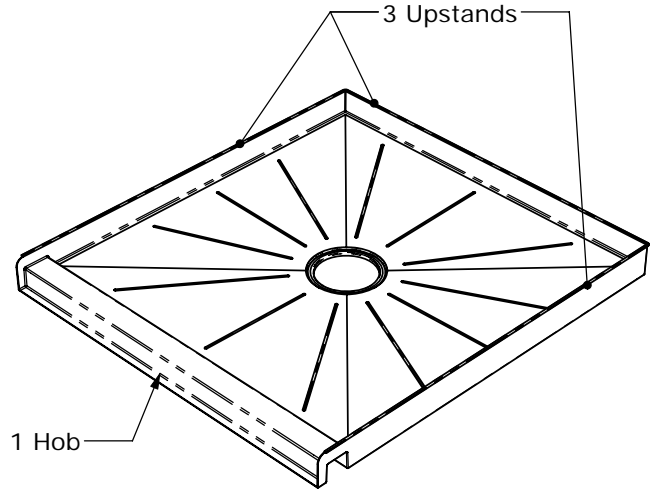
1002-05-3Sided_LevelEntryV32

15/10/2008

2 & 3 Sided Hob Entry Drybase Units

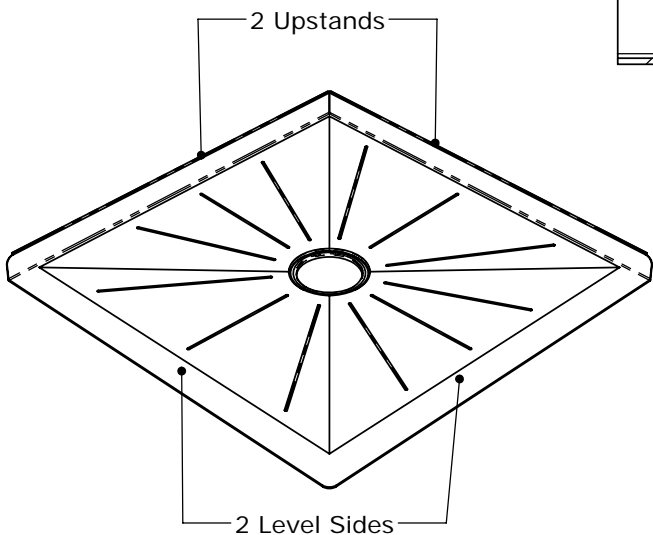
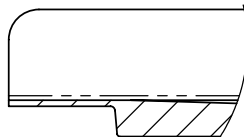


2 Sided Hob Unit

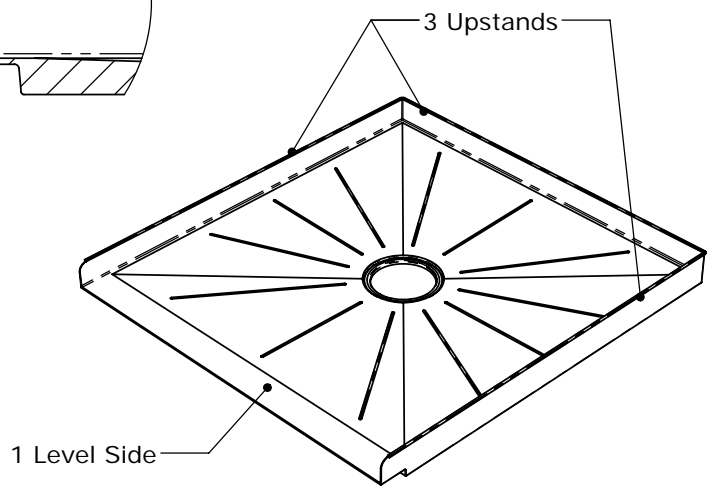


3 Sided Hob Unit

2 & 3 Sided Level Entry Drybase Units



2 Sided Level Unit



3 Sided Level Unit



Drybase Style Specifications

Level Entry & Hob Entry Configurations

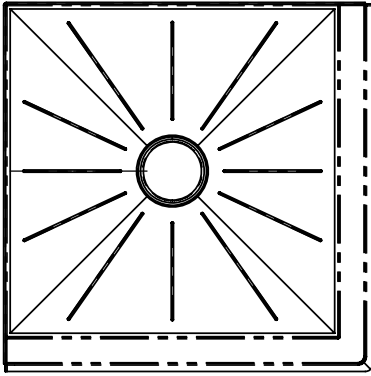
Drybase

1002-05-3SidedHobEntryV33

15/10/2008

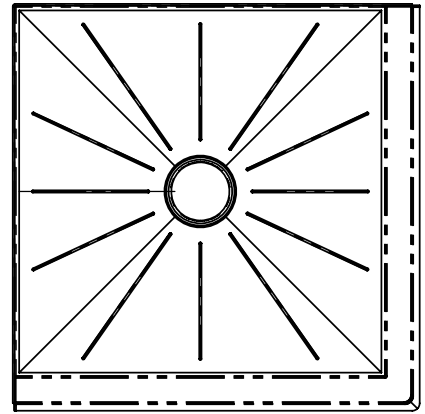
H290: 900x900 2 Sided Hob Entry
L290: 900x900 2 Sided Level Entry

Suits Any Bathroom Corner



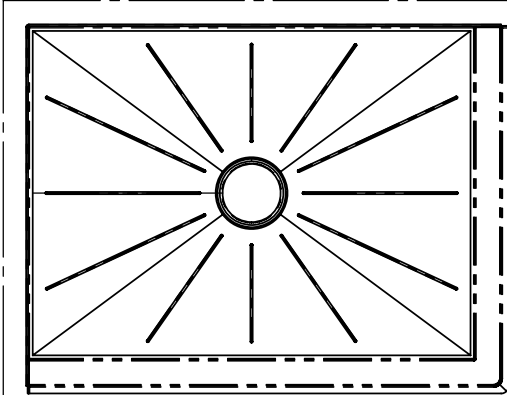
H220: 1000x1000 2 Sided Hob Entry
L220: 1000x1000 2 Sided Level Entry

Suits Any Bathroom Corner



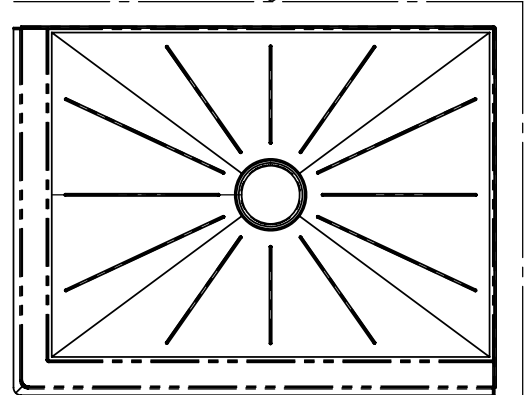
H212L: 1200x900 2 Sided Hob Entry (Left)
L212L: 1200x900 2 Sided Level Entry (Left)

Left Sided Bathroom Corner



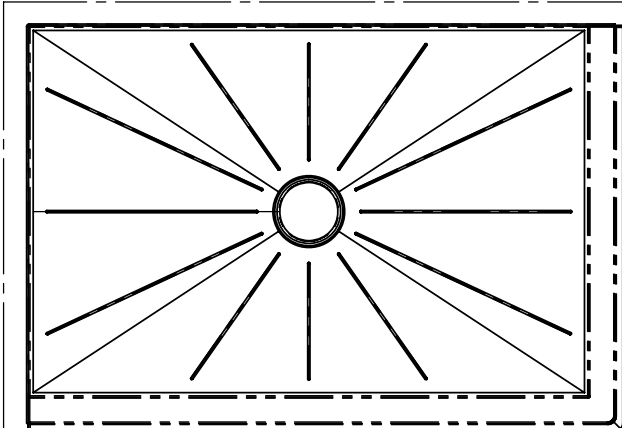
H212R: 1200x900 2 Sided Hob Entry (Right)
L212R: 1200x900 2 Sided Level Entry (Right)

Right Sided Bathroom Corner



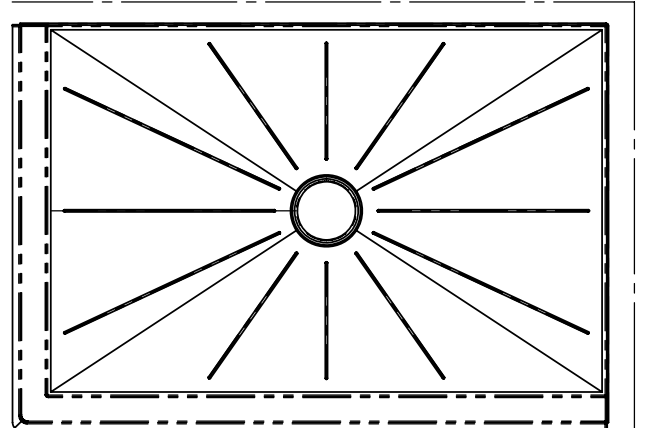
H215L: 1500x1000 2 Sided Hob Entry (Left)
L215L: 1500x1000 2 Sided Level Entry (Left)

Left Sided Bathroom Corner



H215R: 1500x1000 2 Sided Hob Entry (Right)
L215R: 1500x1000 2 Sided Level Entry (Right)

Right Sided Bathroom Corner



Drybase Sizing - Two Walled Installation

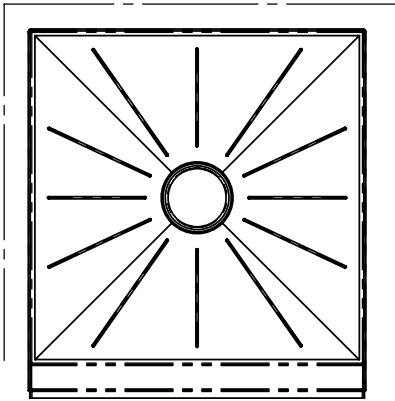
Drybase Styles & Installation Configurations

Drybase

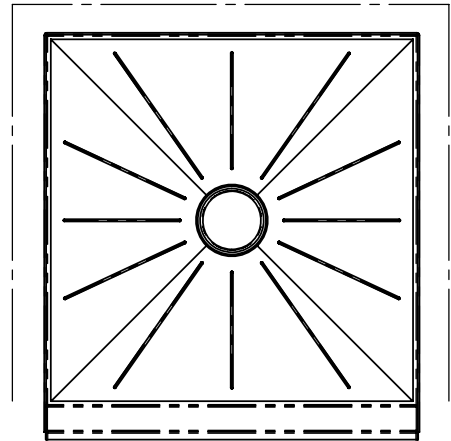
1002-05-2Sided_HobEntryV33

15/10/2008

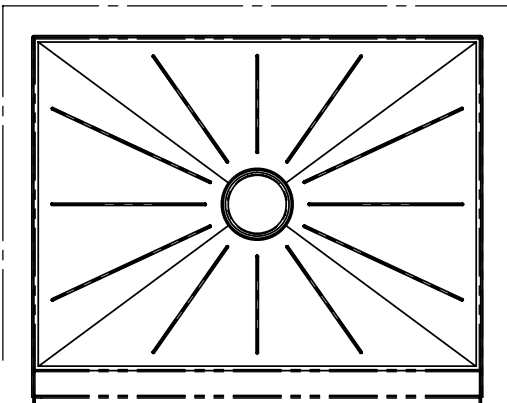
H390: 900x900 3 Sided Hob Entry
L390: 900x900 3 Sided Level Entry



H310: 1000x1000 3 Sided Hob Entry
L310: 1000x1000 3 Sided Level Entry



H312: 1200x900 3 Sided Hob Entry
L312: 1200x900 3 Sided Level Entry



H315: 1500x1000 3 Sided Hob Entry
L315: 1500x1000 3 Sided Level Entry

