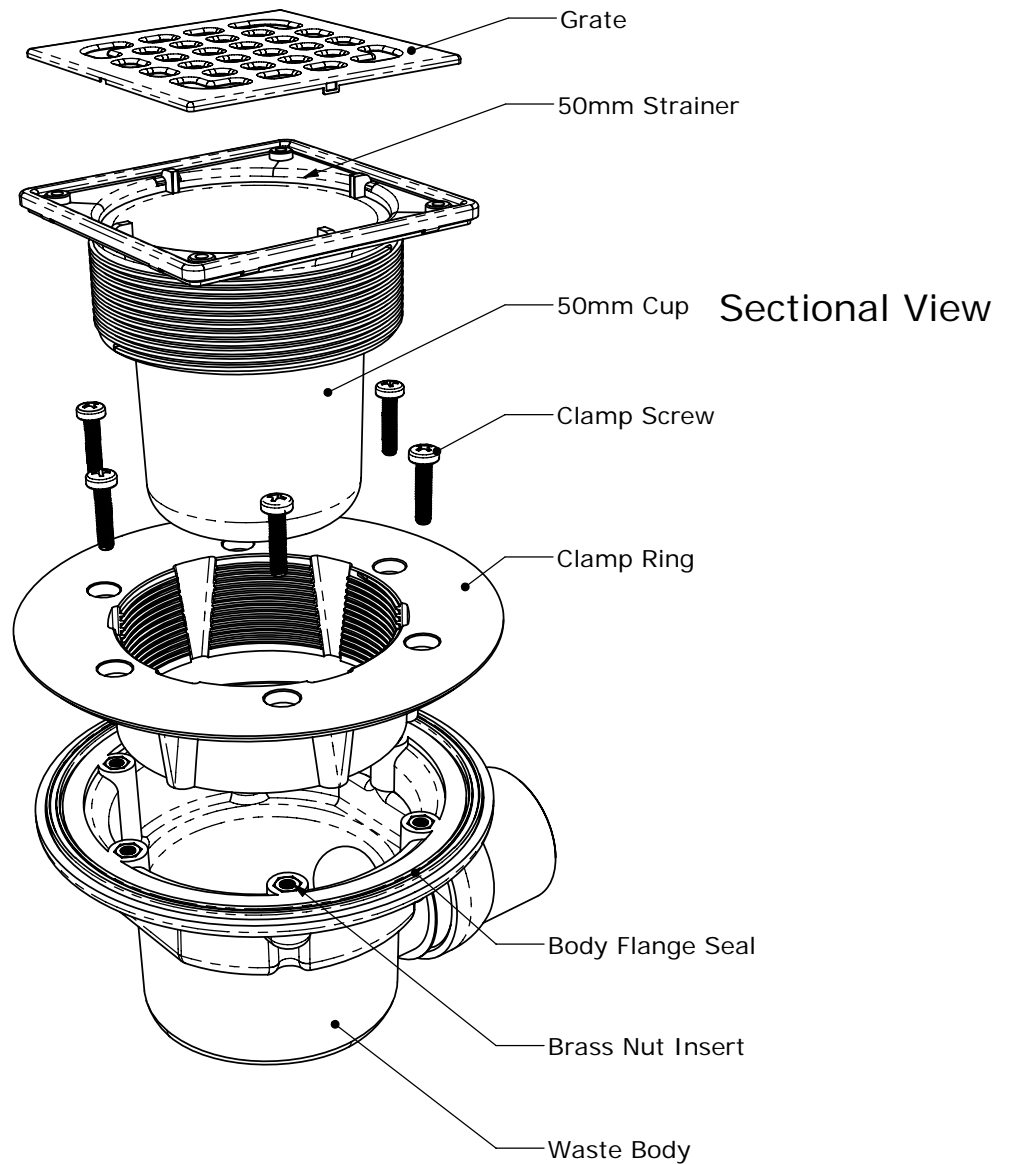
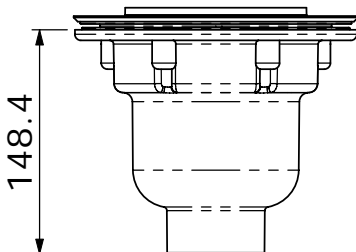


## Typical Waste Assembly

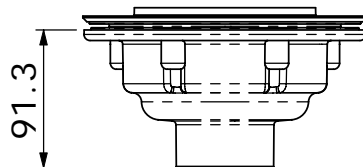


## Hi-Flow Waste Styles

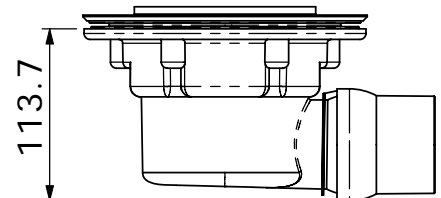
108 EC Hi-Flow Waste



108 HF Hi-Flow Waste



92 DEG Hi-Flow Waste



## Hi-Flow Waste Specifications

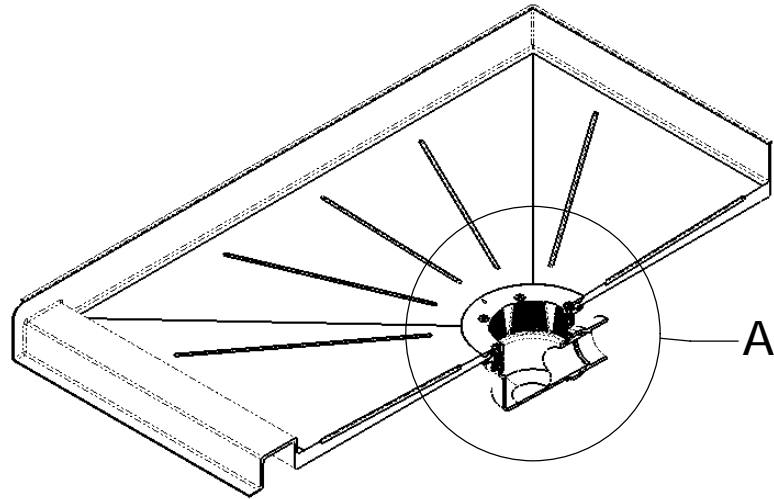
1002 - ACT Drybase

Waste System

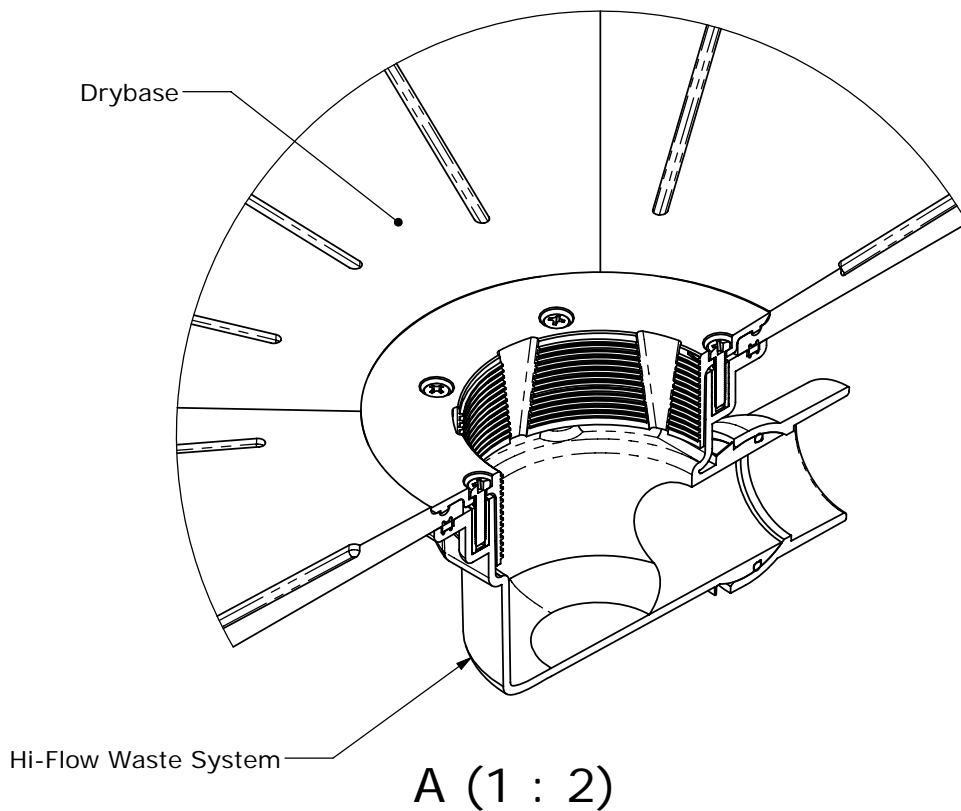
1002-05-DrybaseStyles

24/07/2008





Isometric Sectional View  
(Drybase & Waste)



A (1 : 2)  
Waste Assembly Detail View



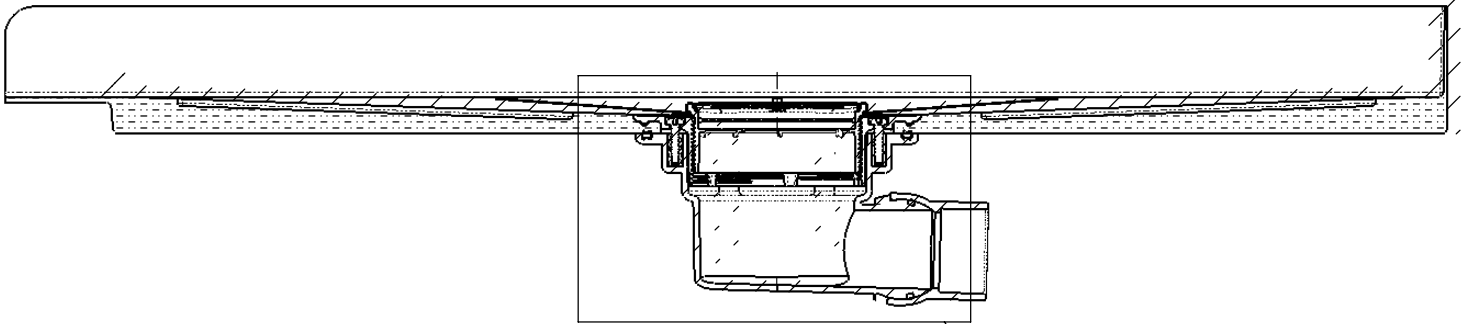
Drybase & Hi-Flow Waste Assembly

1002 - ACT Drybase

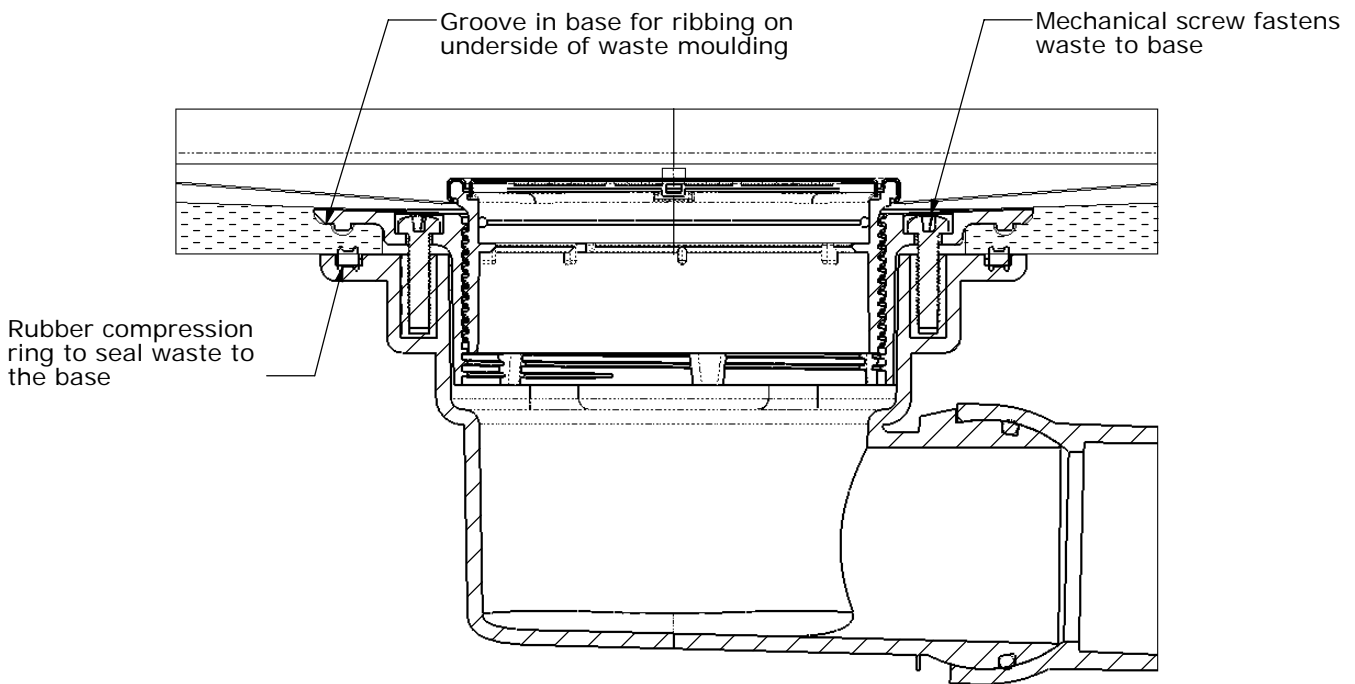
Drybase & Waste Detail

1002-05-3Sided\_HobEntryV33

24/07/2008



Sectional View A



Typical Waste Assembly Detail



Waste Leak Control System

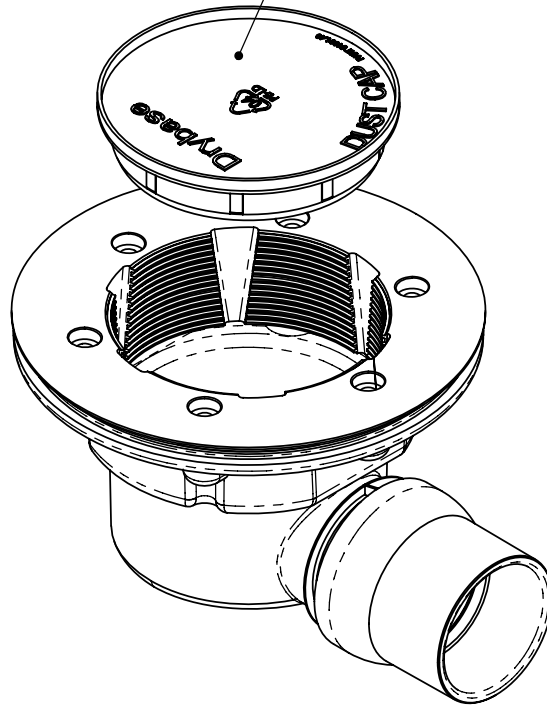
1002 - ACT Drybase

Drybase & Hi-Flow Waste

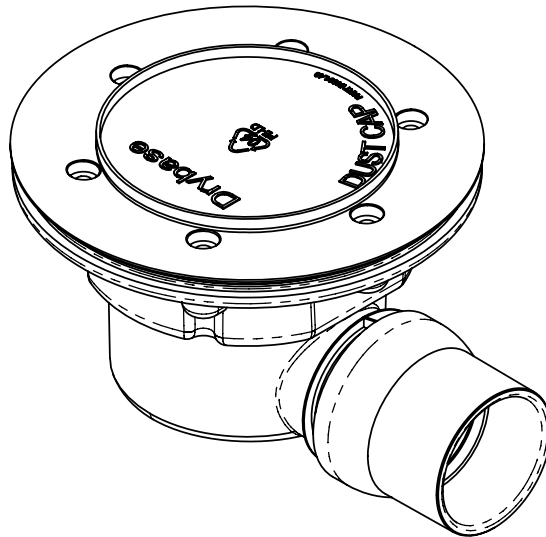
1002-05-2SidedLevelEntryEnclosure

24/07/2008

Hi-Flow Waste Dust Cap  
Dust Cap ensures that the Drybase system and waste pipe remains clean and free of dirt and rubbish during installation and construction of the bathroom.



Exploded View



Assembled View with Dust Cap



**Drybase**  
SHOWER SYSTEMS

## Hi-Flow Waste & Installation Dust Cap

1002-ACT Drybase

Hi-Flow Waste

92deg Lower packaged Unit

24/07/2008